

305

Technical drawings for product 305 include a side view showing a handle with a curved end, a top view of the backplate with dimensions (110, 115, 120, 125, 130, 135, 140, 145, 150, 155, 160, 165, 170, 175, 180, 185, 190, 195, 200, 205, 210, 215, 220, 225, 230, 235, 240, 245, 250, 255, 260, 265, 270, 275, 280, 285, 290, 295, 300, 305, 310, 315, 320, 325, 330, 335, 340, 345, 350, 355, 360, 365, 370, 375, 380, 385, 390, 395, 400, 405, 410, 415, 420, 425, 430, 435, 440, 445, 450, 455, 460, 465, 470, 475, 480, 485, 490, 495, 500), and a cross-section drawing showing the handle's profile and mounting details.

Ref:	A
305	114"x80
305E	8x80

306

Technical drawings for product 306 include a side view showing a handle with a curved end, a top view of the backplate with dimensions (110, 115, 120, 125, 130, 135, 140, 145, 150, 155, 160, 165, 170, 175, 180, 185, 190, 195, 200, 205, 210, 215, 220, 225, 230, 235, 240, 245, 250, 255, 260, 265, 270, 275, 280, 285, 290, 295, 300, 305, 310, 315, 320, 325, 330, 335, 340, 345, 350, 355, 360, 365, 370, 375, 380, 385, 390, 395, 400, 405, 410, 415, 420, 425, 430, 435, 440, 445, 450, 455, 460, 465, 470, 475, 480, 485, 490, 495, 500), and a cross-section drawing showing the handle's profile and mounting details.

Ref:	A
306	114"x80
306E	8x80

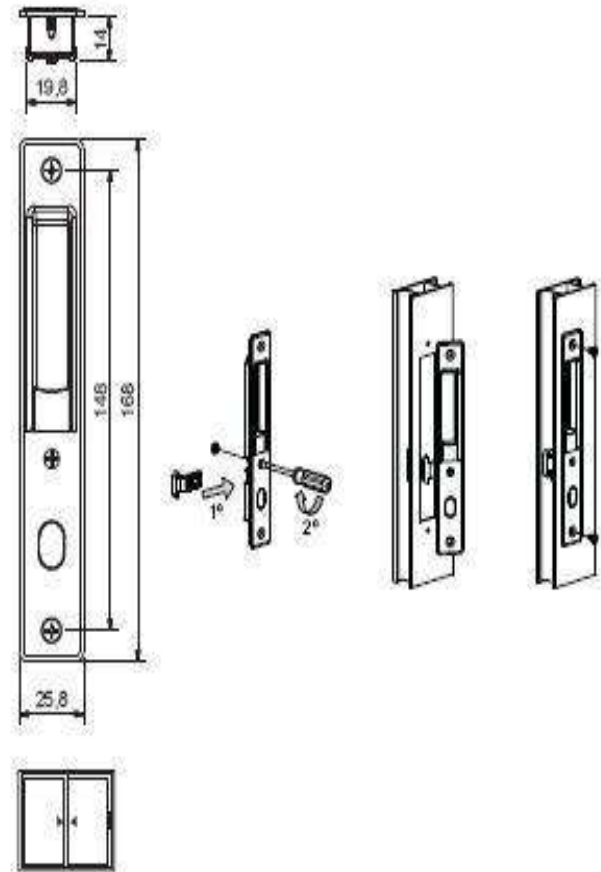
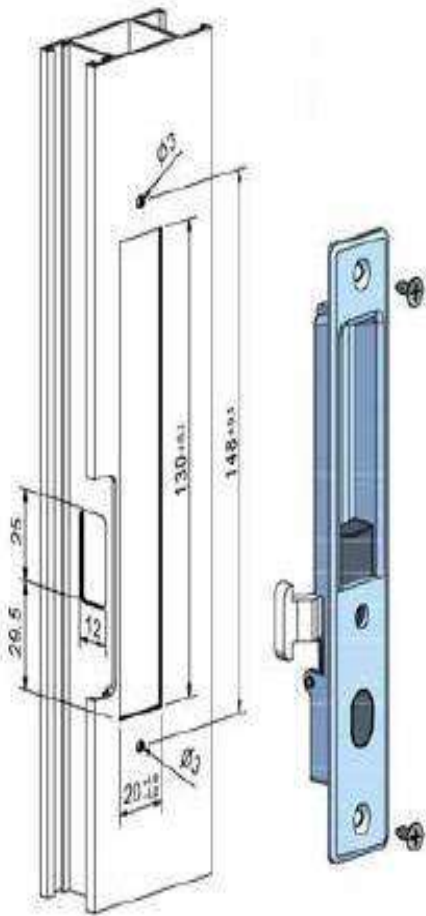
410

Technical drawings for product 410 include a side view showing a handle with a curved end, a top view of the backplate with dimensions (110, 115, 120, 125, 130, 135, 140, 145, 150, 155, 160, 165, 170, 175, 180, 185, 190, 195, 200, 205, 210, 215, 220, 225, 230, 235, 240, 245, 250, 255, 260, 265, 270, 275, 280, 285, 290, 295, 300, 305, 310, 315, 320, 325, 330, 335, 340, 345, 350, 355, 360, 365, 370, 375, 380, 385, 390, 395, 400, 405, 410, 415, 420, 425, 430, 435, 440, 445, 450, 455, 460, 465, 470, 475, 480, 485, 490, 495, 500), and a cross-section drawing showing the handle's profile and mounting details.

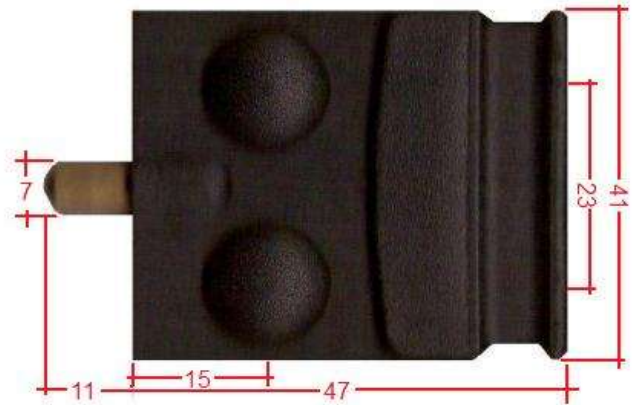
430

Technical drawings for product 430 include a side view showing a handle with a curved end, a top view of the backplate with dimensions (110, 115, 120, 125, 130, 135, 140, 145, 150, 155, 160, 165, 170, 175, 180, 185, 190, 195, 200, 205, 210, 215, 220, 225, 230, 235, 240, 245, 250, 255, 260, 265, 270, 275, 280, 285, 290, 295, 300, 305, 310, 315, 320, 325, 330, 335, 340, 345, 350, 355, 360, 365, 370, 375, 380, 385, 390, 395, 400, 405, 410, 415, 420, 425, 430, 435, 440, 445, 450, 455, 460, 465, 470, 475, 480, 485, 490, 495, 500), and a cross-section drawing showing the handle's profile and mounting details.

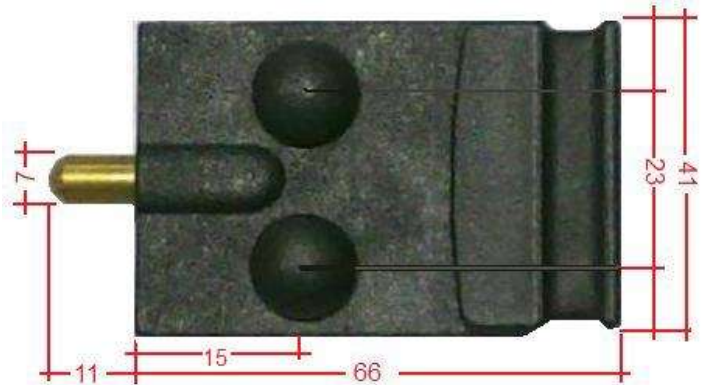
236



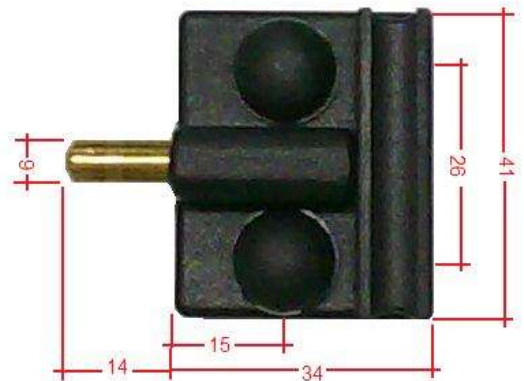
901/PL

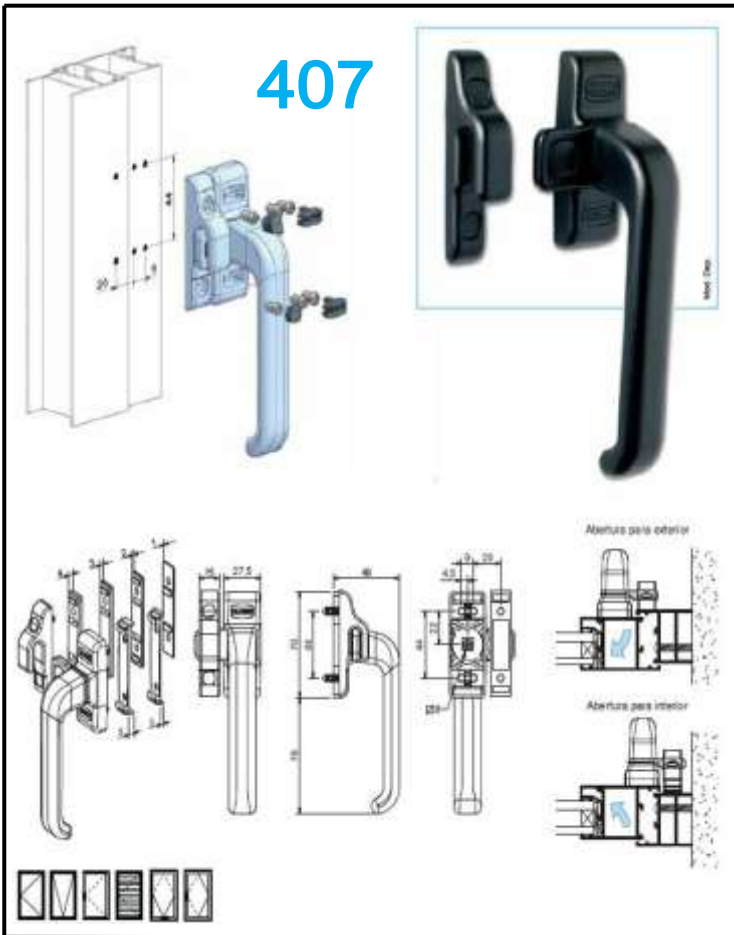


ST 940/PL



9150/L





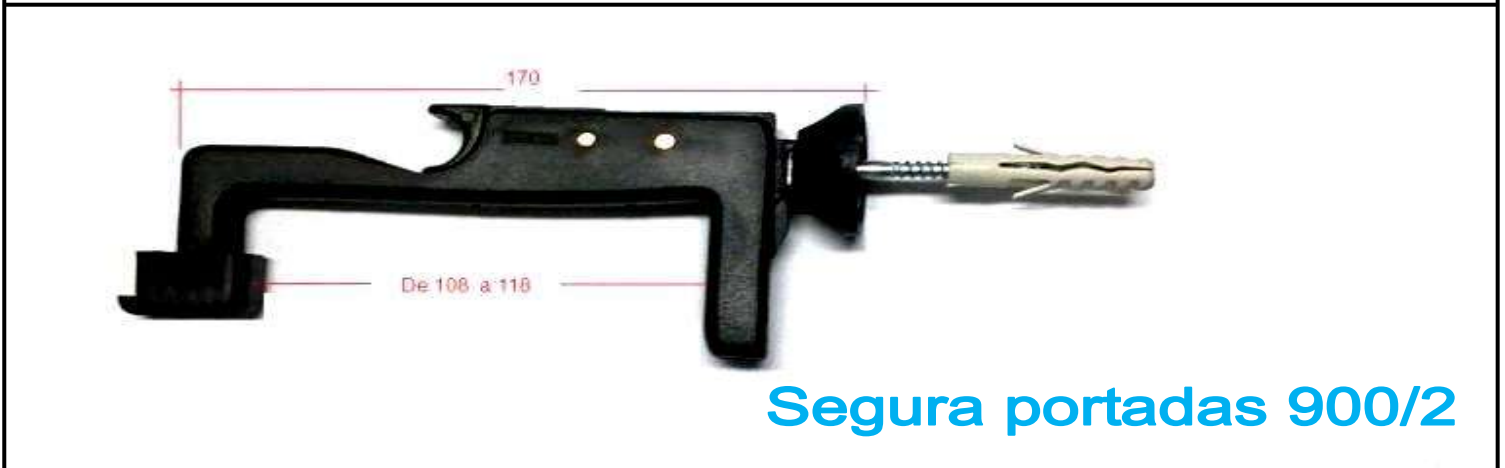
Dobradiça Deslizante



Dobradiça Europa



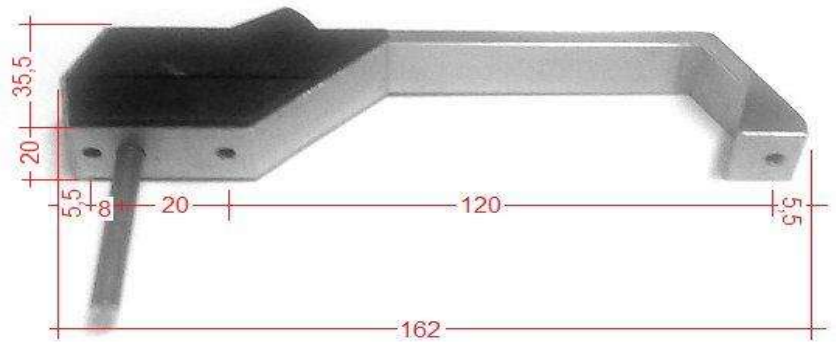
Segura portadas 900/1



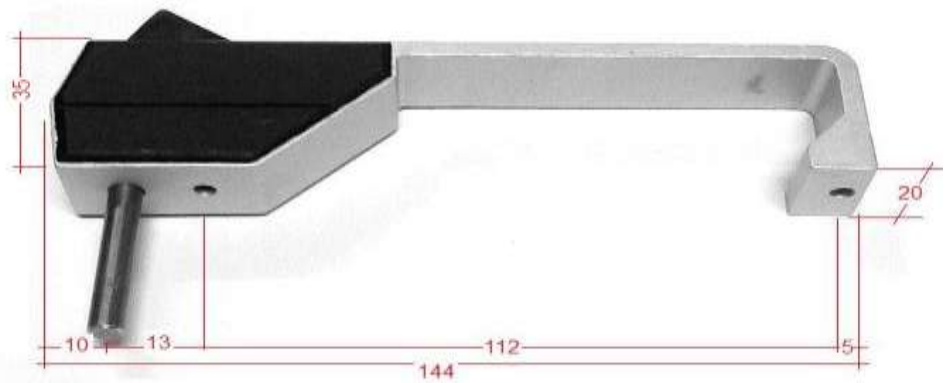
Segura portadas 900/2



CB



409



5890



Concha Plastica 580 P

