

Cavity wall ventilator

Material

- Made from aluminium sections: AlMgSi 0.5 (according to EN 12020-2)
- Stainless steel 304 insect screen (2.3 x 2.3 mm)
- Finishing: anodized in satin/bronze colour (20 micron) or powder-coated in any RAL or Syntha Pulvin colour (40 micron)
- Connecting sleeve made from galvanised steel

Dimensions

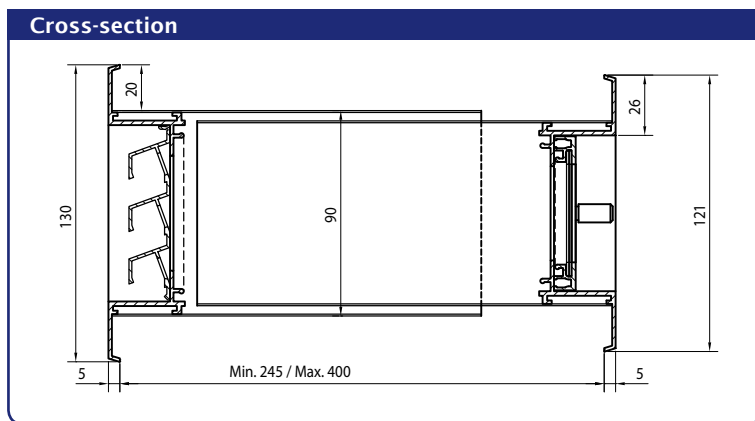
- Size to fit: 265 x 90 mm (L x H)
- Flange size: 21 mm
- Controllable internal louvre
- Adjustable sleeve for wall thickness of 245 till 400 mm

Options

- Optional sound absorbing material

Fixing

- Spring clips are included



Stock models					
Dimensions length x height (L) x (H)	Satin anodised	RAL 9010	Airway opening in cm ²	Airflow at 2 Pa in m ³ /h	Airflow at 20 Pa in m ³ /h
265 x 90 mm	•	•	38	15	49,4