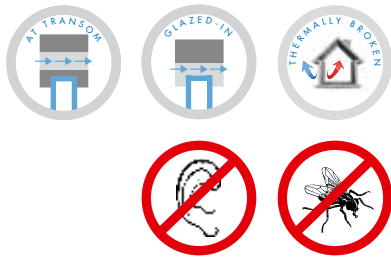


# Sonovent® I < Acoustic flap ventilators glazed-in/at transom



*Flap ventilator with a superior sound absorption and increased airflow*

The Sonovent® I is a Sonovent® with an increased airflow specifically designed for offices, commercial buildings and shops. Unlike the Sonovent®, the Sonovent® I is not self-regulating and the airtight opening is 36 mm resulting in an increased airflow.

#### **Installation at transom (or glazed-in)**

The Sonovent® I is preferably placed at transom. By adding L-profiles to the upper and lower side, the Sonovent® I can also be placed on glass.

#### **Thermally broken**

No cold air transfer from outside to inside. Thermal breaks can be positioned differently depending on the model and installation method.

#### **Sound absorption**

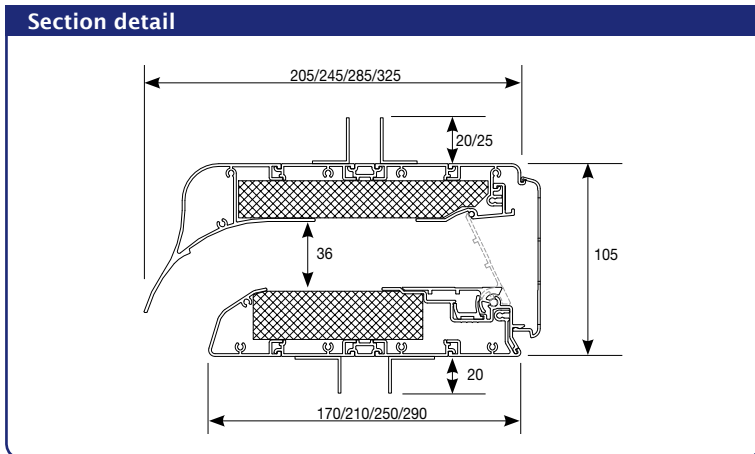
Various sound reduction levels (depending on the type), from 32 dB up to 36 dB.

#### **Very high airflow**

Up to 175,3 m<sup>3</sup>/h/m (Q at 2 Pa).

#### **Insect mesh**





Technical characteristics				
Sonovent® I	Small	Medium	Large	Xlarge
<b>Airflow</b>				
Equivalent area	43520 mm <sup>2</sup> /m	44029 mm <sup>2</sup> /m	43392 mm <sup>2</sup> /m	43138 mm <sup>2</sup> /m
Q at 1 Pa	34,2 l/s/m	34,6 l/s/m	34,1 l/s/m	33,9 l/s/m
Q at 1 Pa	123,1 m <sup>3</sup> /h/m	124,6 m <sup>3</sup> /h/m	122,8 m <sup>3</sup> /h/m	122,0 m <sup>3</sup> /h/m
Q at 2 Pa	48,2 l/s/m	48,7 l/s/m	48,0 l/s/m	48,0 l/s/m
Q at 10 Pa	107,8 l/s/m	107,1 l/s/m	107,3 l/s/m	107,3 l/s/m
Q at 20 Pa	152,4 l/s/m	150,5 l/s/m	151,8 l/s/m	151,8 l/s/m
<b>Comfort</b>				
Sound reduction D <sub>n,e,w</sub> (C;C <sub>tr</sub> )				
- in open position	32 (-1;-3) dB	33 (-1;-3) dB	35 (-1;-4) dB	36 (-1;-4) dB
- in closed position	44 (-1;-4) dB	48 (-1;-5) dB	49 (-2;-5) dB	49 (-1;-5) dB
<b>Technical characteristics</b>				
Controllable internal flap	Continuous adjustment			
Control options internal flap	Motor			
U value	5,2 W/m <sup>2</sup> K			
Air leakage at 50 Pa	<15% (in closed position)			
Watertightness in closed position, up to	650 Pa			
Watertightness in open position, up to	50 Pa			
<b>Dimensions</b>				
Glass reduction	130 mm (flange 20 mm), 135 mm (flange 25 mm)			
Height	105 mm (box height) / 145 mm or 150 mm (total height with flanges)			
Glass thickness	20, 24, 28 or 32 (or more upon request)			
Depth	170 mm	210 mm	250 mm	290 mm
Max. length	2000 mm (glazed-in) / 2500 mm (at transom)			

